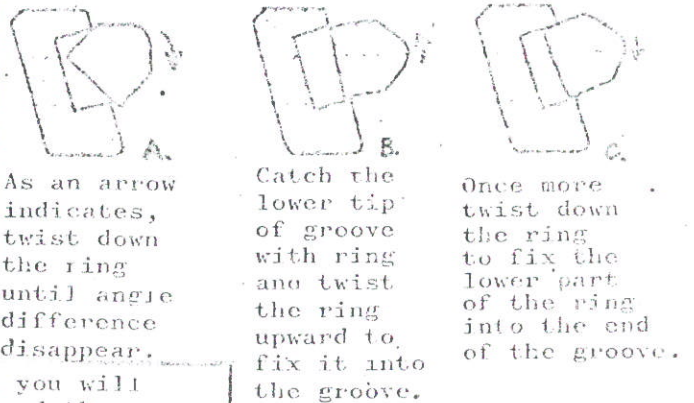
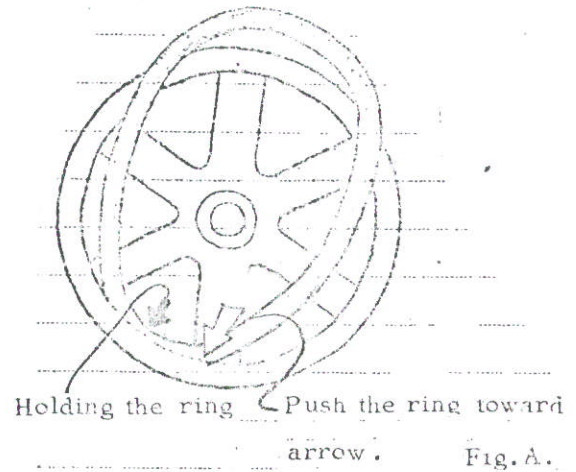


TO REPLACE DRIVE RING

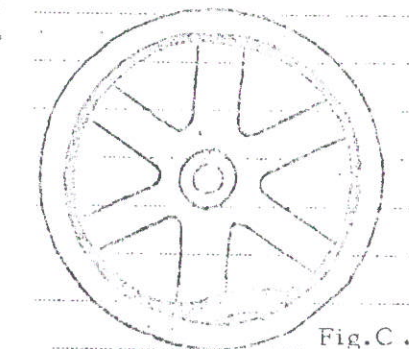
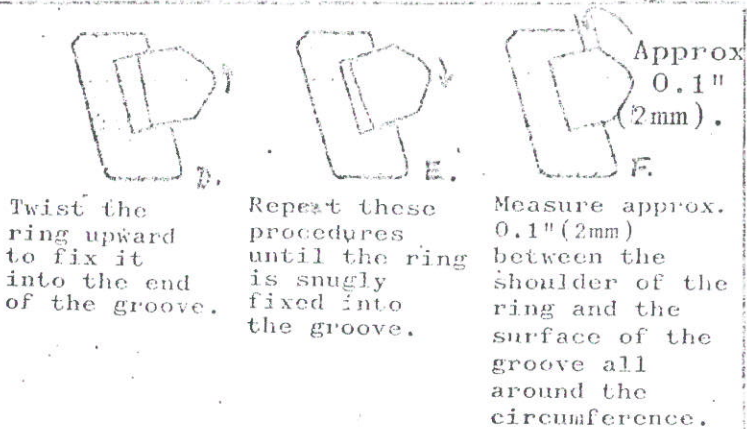
- 1) Remove splash pan.
- 2) Release upper case and place it upside down as fig. A shows.
- 3) Clean groove of ring holder with rags.
- 4) Insert new drive ring into the groove.
- 5) Push the drive ring into the groove till the last bent is snugly fitted into the groove, holding the part, arrow indicate.

Note: As fig. B shows, the angle of the groove and the ring is different, bend the drive ring slightly toward the arrow, and push it in.



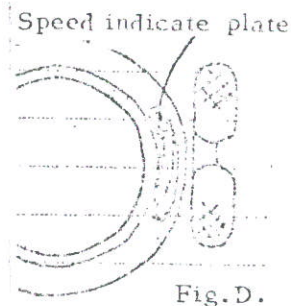
IMPORTANT

When you first apply ring into the groove, you will see the angle difference between the ring and the groove. To adjust the angle and snugly fix the ring into the groove, follow these procedures with care.



To push the last bent into the groove, follow the above procedures : A - F

- 6) Clean the drive ring with no lead, regular gasoline.
- 7) Place the upper case as the speed indicate plate and lever are in the same vertical line. Fig. D.
- 8) Screw in 4-plus pan-head screws to fasten the cases.
- 9) Operate the wheel for about 5 minutes until the ring snugly fitted into the groove and the rattling sound and vibration disappear.



-DRIVE RING REPLACEMENT IS OVER.-